

Piusi Nozzle Adblue

FEATURES

- **READY TO USE**
- **STURDY DESIGN**
- **STAINLESS STEEL BODY**

The PIUSI SUZZARABLU A60 is an automatic nozzle suitable to dispense AdBlue® featuring a device that stops the dispensing when the tank is full. It comes with a hose-tail fitting.

PERFORMANCE

UP TO
40 L/MIN

FLOW RATE

3,4 BAR
MAX

OPERATING PRESSURE



SUZZARABLU A60



PACKAGING

CODE	WEIGHT		PACKAGING		
	KG	LBS	MM	INCH	PCS/BOX
FO061903B	2.6	5.7	357X357X275	14,1X14,1X10,8	1

AUSTRALIA

+61 3 9775 1366
FUELCO.COM.AU

AFRICA

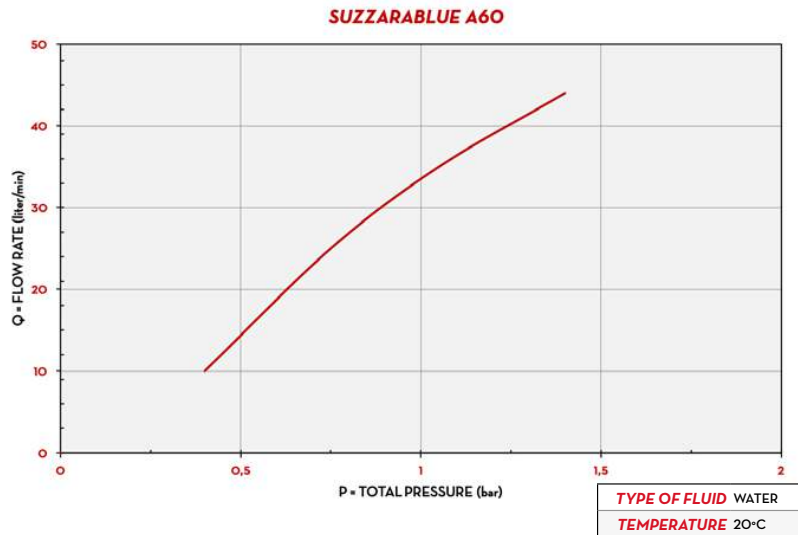
+27 (016) 421 8043
FUELCO-SA.COM

MENA

+ 971 4 232 4985
FUELCO.AE

Piusi Nozzle Adblue

CHART



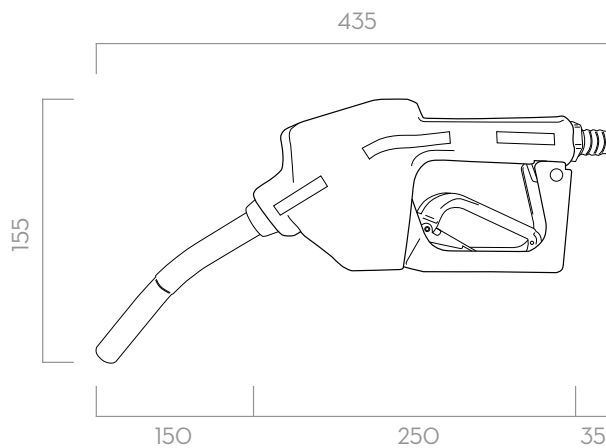
IN THE BOX

- SUZZARABLU A60 NOZZLE
- INSTRUCTION MANUAL

DETAILS



DIMENSIONS



Dimensions expressed in millimeters

MATERIALS

- SPOUT: STAINLESS STEEL
- BODY: STAINLESS STEEL

TECHNICAL DATA

CODE	DESCRIPTION	FLUIDS TYPE	FLOW RATE		PRESSURE	INLET	SWIVEL	SPOUT
			L/MIN	GPM				
FOO619O3B	SUZZARABLU A60		40	21,1	3,4	3/4"	YES	3/4"